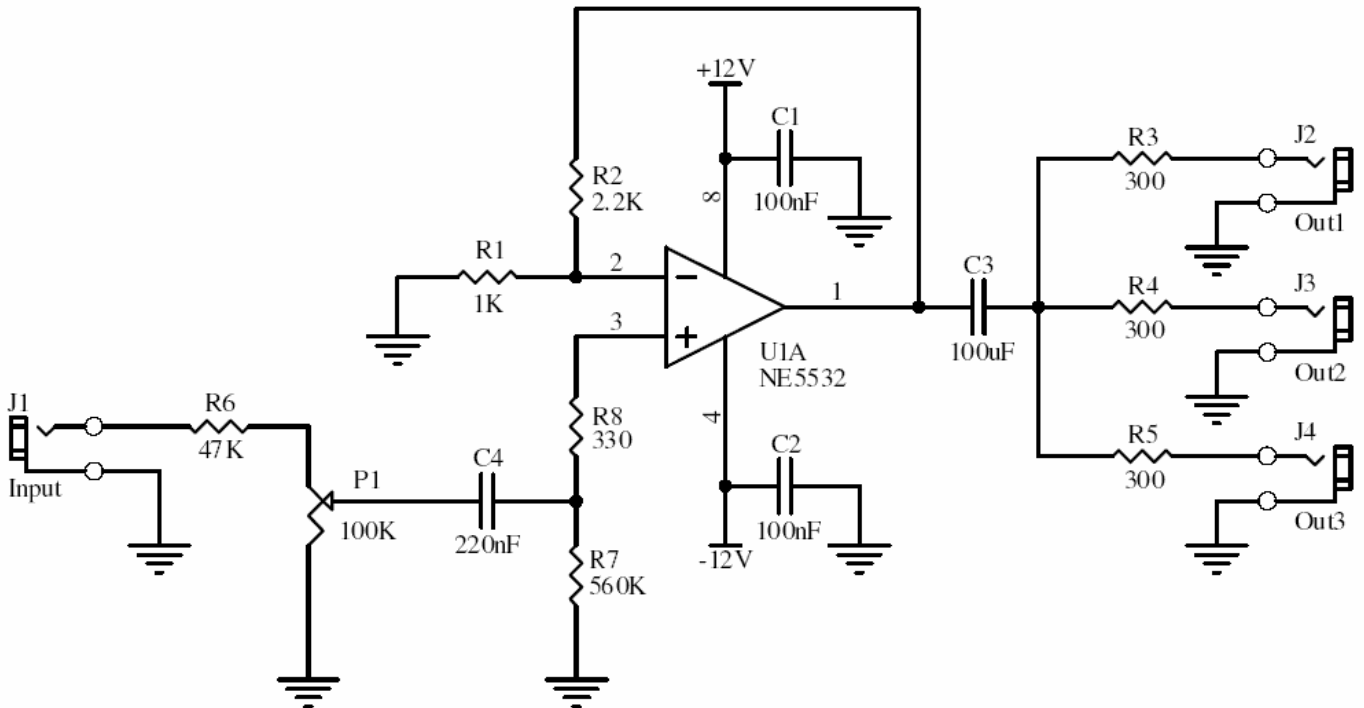


# Audio Distribution Amplifier



This circuit is suitable to amplify and distribute the audio signals. The input audio signal is applied to the J1 and after passing through the P1, it is buffered and amplified by the U1 prepared to redistribute. It has 3 outputs to drive 3 audio lines with 300 ohms impedance.